

## MANUAL SERIES 500 IN PAINTED STEEL WITH SECURITY SYSTEM



Width 240 - 320 - 460 - 600 mm

## TECHNICAL CHARACTERISTICS

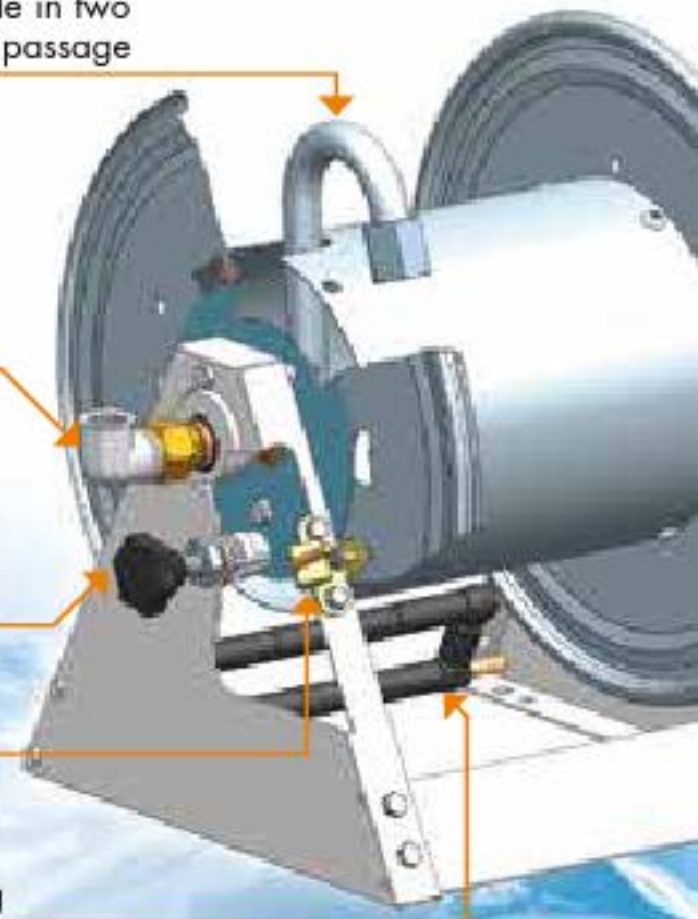
Practical elbow union that facilitates hose connection. Available in two versions with 1/2" or 1" passage

Swivel joints suitable for various pressures and with total passage. Available in brass galvanised steel and AISI 304 stainless steel

Clutch in POM to regulate hose unwinding and prevent the drum from turning empty due to inertia

Parking lock

Large hose guide to favour hose unwinding and rewinding



## SERIES 600 MOTORIZED HOSE REEL IN PAINTED STEEL

Available with hydraulic or pneumatic motor with 1" or 1.1/2" passage



Series 617 - 637 Hydraulic  
Width 220 - 400 mm

Series 618 - 638 Pneumatic  
Width 220 - 400 mm

## SERIES 700 MANUAL AND MOTORIZED HOSE REEL IN PAINTED STEEL

Available with various motorizations with 2" passage



Manual

Electric 230V



MANUAL



ELECTRIC 24V



HYDRAULIC



PNEUMATIC