

Series 250-300

STAINLESS STEEL AISI 304 Swivelling



S. 250



S. 300

Suggested for aggressive workplace or in application with use of water. The electrolytic polishing surface treatment, on the stainless steel cover, helps the elimination of the surface impurities, increases the average life of the hose reel and improves its appearance.

In accordance with directive
Atex 94/9 II 3GD c IIB TX

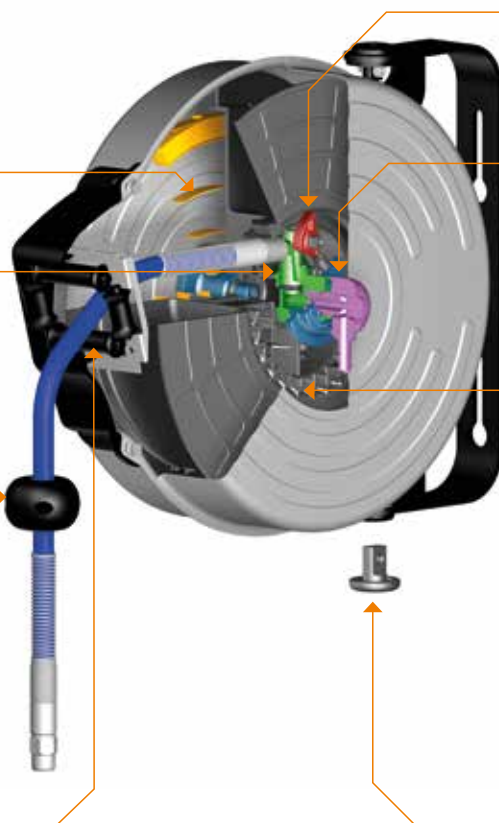


Rewind spring completely protected from the external environment. Tested to resist more than 30000 cycles.*

Unions and central pin.

Adjustable hose stop.

Large and **multidirectional roller guide** with self lubricating hose guide rollers. with stainless steel internal strengthening.



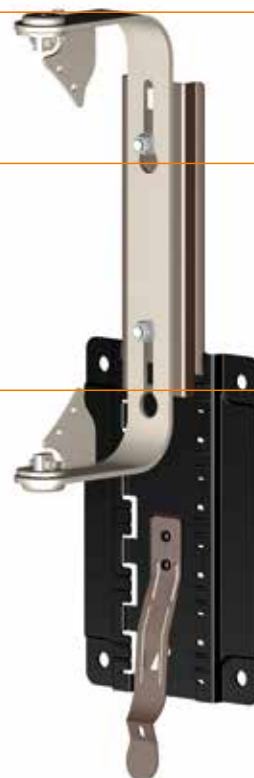
Pawl of increased thickness with strengthening ribs to ensure high resistance to stress.

Swivel joint in available, depending on the series, in stainless steel Aisi 304 or brass material.

Rack with increased width and strengthening ribs to ensure greater durability and sturdiness.

Bayonet bracket.

Screw to lock the reel pivoting.



* A cycle is composed by a number of rotations in one direction and the same in the opposite direction. The number of rotations depends on the spring model. This allows to simulate the rewinding and unwinding of a hose with its maximum length.