

## ACCESSORIES FOR GREASE PUMPS

### Drum cover for manual pumps with suction tube $\varnothing$ 25 - 30 - 38

**P/N OE65309**

**Drum cover  $\varnothing$  337 mm**

- ▶ drums external  $\varnothing$  270 - 330 mm  
for P/N OE60311 (suction tube  $\varnothing$  25 mm)

**P/N OE65311**

**Drum cover  $\varnothing$  337 mm**

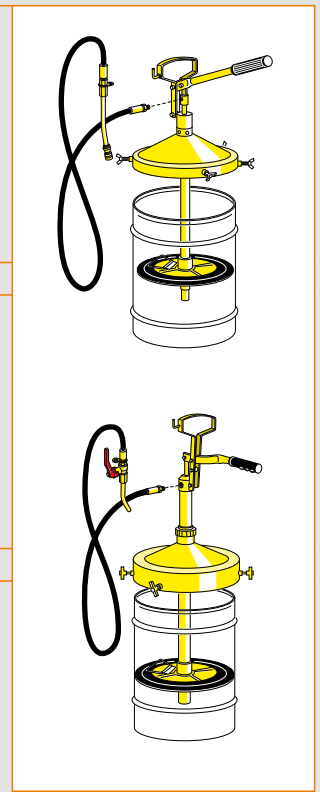
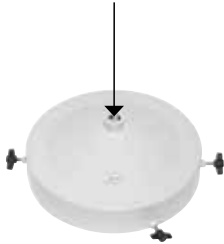
- ▶ drums external  $\varnothing$  270 - 330 mm  
for P/N OE60411 (suction tube  $\varnothing$  38 mm)

**P/N OE65312**

**Drum cover  $\varnothing$  337 mm**

- ▶ drums external  $\varnothing$  270 - 330 mm  
for pumps with  $\varnothing$  30 mm suction tube

union  $\varnothing$  25 - 30 - 38 mm



### Drum cover for pumps S. 600 - 700 with suction tube $\varnothing$ 30

**P/N OE65280**

**Drum cover  $\varnothing$  280 mm**

- ▶ drums external  $\varnothing$  240 - 280 mm

**P/N OE65310**

**Drum cover  $\varnothing$  310 mm**

- ▶ drums external  $\varnothing$  260 - 300 mm

**P/N OE65350**

**Drum cover  $\varnothing$  350 mm**

- ▶ drums external  $\varnothing$  300 - 350 mm

**P/N OE65385**

**Drum cover  $\varnothing$  385 mm**

- ▶ drums external  $\varnothing$  340 - 385 mm

**P/N OE65420**

**Drum cover  $\varnothing$  420 mm**

- ▶ drums external  $\varnothing$  370 - 420 mm

**P/N OE65600**

**Drum cover  $\varnothing$  600 mm**

- ▶ drums external  $\varnothing$  550 - 600 mm

union  $\varnothing$  30 mm

