

MODULAR TROLLEYS



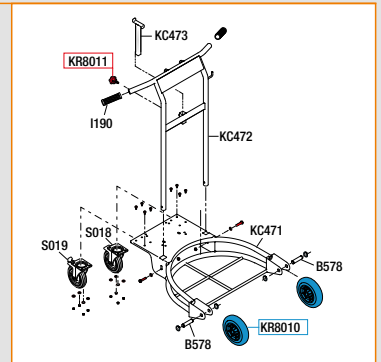
P/N OE80210

Standard trolley for drums 180 - 220 Kg

► with 4 wheels: 2 fixed wheels and 2 castors (1 with block)

📦 No.1 packing m³ 0,18 📊 kg 26,2

OVERALL DIMENSIONS P:900 H:1150 L:770 mm



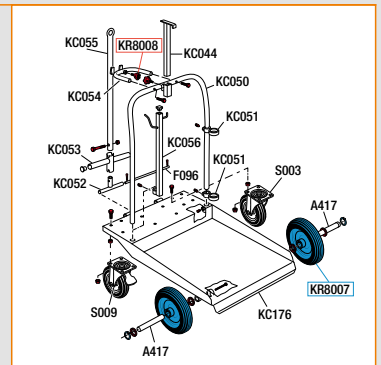
P/N OE80201

Super trolley for drums 180 - 220 Kg

► with 4 wheels: 2 fixed wheels and 2 castors (1 with block)

📦 No.1 packing m³ 0,100 📊 kg 45,9

OVERALL DIMENSIONS P:930 H:1030 L:810 mm

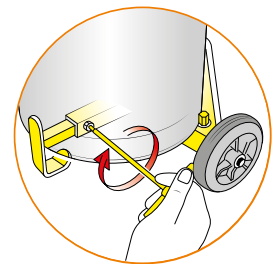
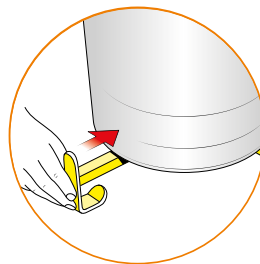
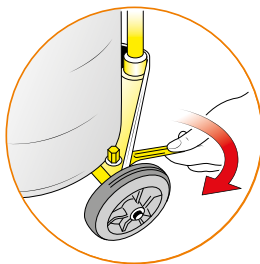
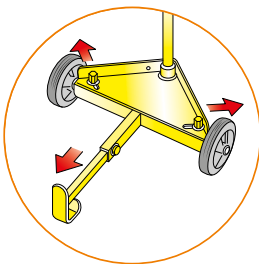


Technical features

Designed to complete our articles such as oil and grease kits

HOW TO USE

P/N OE80035 - P/N OE80040



P/N OE80200 (without block)
P/N OE80201 (with block)
P/N OE80210 (with block)

