

FRONTAL SERVICE COLUMNS

P/N OE39320

Frontal service column ▶ suitable for suction unit

No.1 packing m³ 0,265 kg 41

OVERALL DIMENSIONS P:125 H:2450 L:290 mm

P/N OE39321

Frontal service column ▶ suitable for 1 hose reel

No.1 packing m³ 0,265 kg 42

OVERALL DIMENSIONS P:125 H:2450 L:290 mm

P/N OE39421

Frontal service column ▶ suitable for 1 hose reel ▶ made in stainless steel AISI 304

No.1 packing m³ 0,265 kg 37

OVERALL DIMENSIONS P:125 H:2450 L:290 mm

P/N OE39322

Frontal service column ▶ suitable for 2 hose reels

No.1 packing m³ 0,265 kg 48,5

OVERALL DIMENSIONS P:130 H:2450 L:620 mm

P/N OE39422

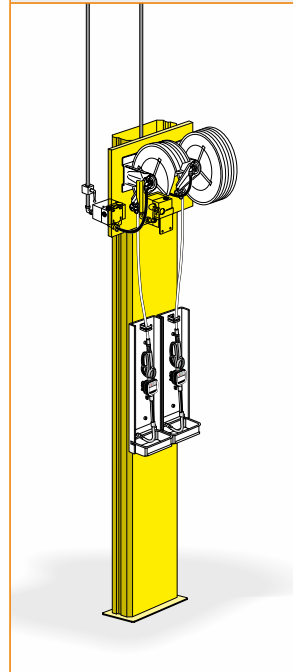
Frontal service column ▶ suitable for 2 hose reels ▶ made in stainless steel AISI 304

No.1 packing m³ 0,265 kg 44

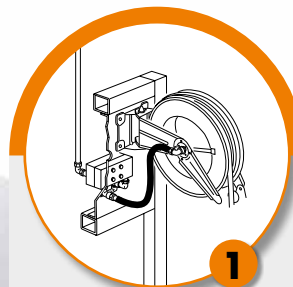
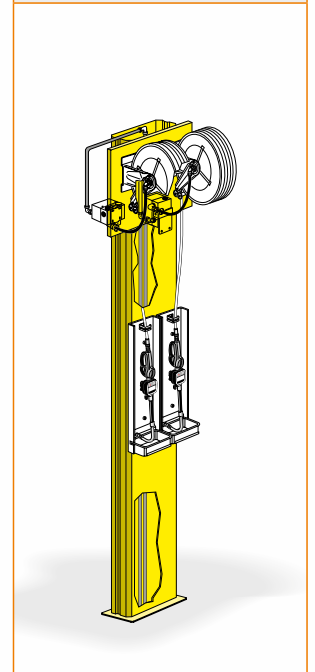
OVERALL DIMENSIONS P:130 H:2450 L:620 mm



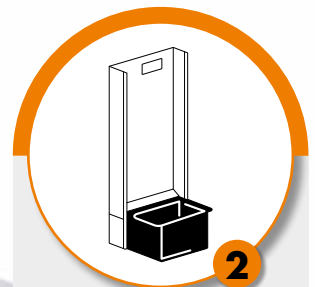
CEILING INSTALLATION



FLOOR INSTALLATION



Universal drillings for application of accessories



Holes for drip tray