

13 KG MANUAL GREASE PUMPS

P/N OE68012

Portable high-pressure 350 - 400 bar hand-operated grease pump, equipped with:
 ▶ tank 13 kg ▶ grease follower plate ▶ 1/4" - 2,5 m hose ▶ rigid terminal with 4-jaw grease head P/N OE66739

No.1 packing m³ 0,060 kg 10,4

OVERALL DIMENSIONS P:340 H:710 L:245 mm



P/N OE68113

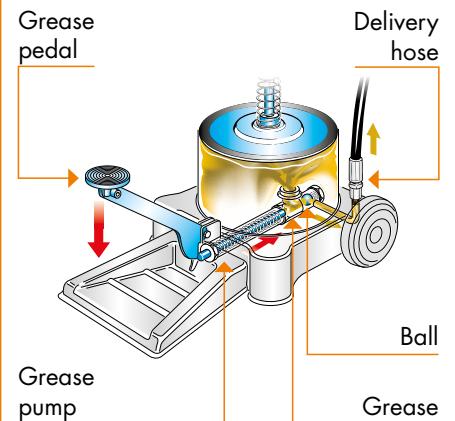
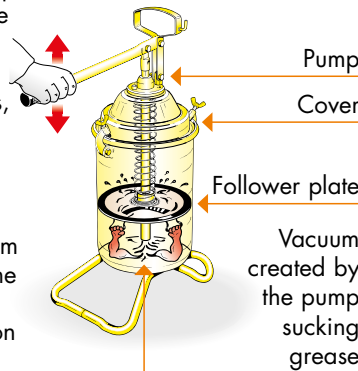
Wheel-mounted high-pressure 300 - 350 bar pedal-operated grease pump, equipped with:
 ▶ tank 13 kg ▶ grease follower plate ▶ 1/4" - 2,5 m hose ▶ rigid terminal with 4-jaw grease head P/N OE66739

No.1 packing m³ 0,065 kg 14

OVERALL DIMENSIONS P:520 H:840 L:340 mm



The follower plate, indispensable when using particularly hard greases, is drawn towards the bottom of the drum by the vacuum created by the pump in the grease suction stage



13 KG AIR-OPERATED GREASE PUMPS

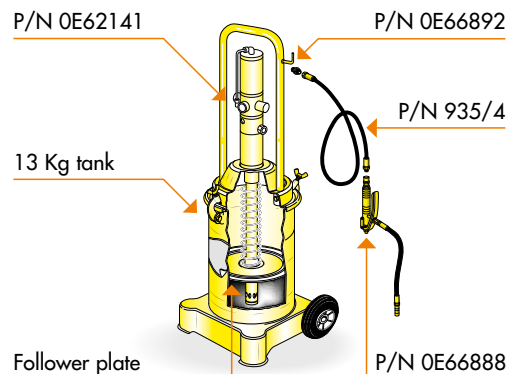
P/N OE68213-S

Air-operated grease pump R 50:1, wheel-mounted, equipped with:

▶ tank 13 kg ▶ grease follower plate ▶ P/N 935/4 - 1/4" - 4 m hose ▶ P/N OE62041 air pump R 50:1 ▶ P/N OE66892 nipple 1/4" x 3/8" - M/M ▶ P/N OE66888 grease gun with flexible terminal

No.1 packing m³ 0,100 kg 16,7

OVERALL DIMENSIONS P:300 H:840 L:340 mm



- 1** Greasing of conveyor belt in manufacturing sector
- 2** The pump is fed by compressed air made by the truck
- 3** Greasing of machines tool in engineering industry

