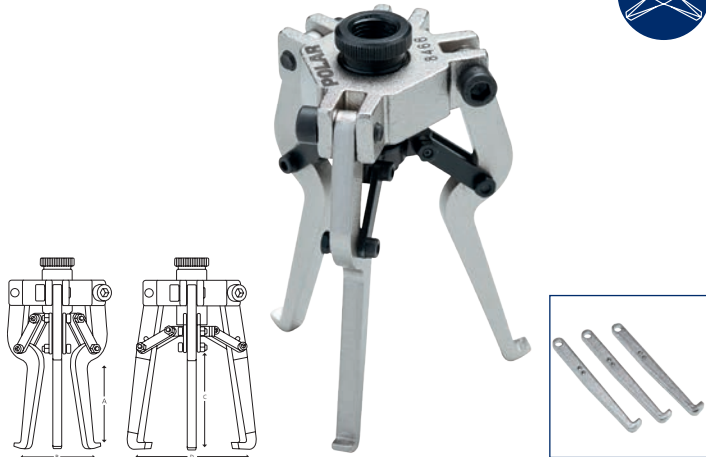


POLAR PULLERS



8466 2- & 3-ARM COMBI PULLER

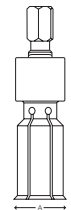
- Internal and external puller.
- Used together with slidehammer (8471).
- Surface: Chrome plated. Burnished spindle.
- Material: Chrome-vanadium steel.



ITEM NO.	5704196+	A MM	B MM	C MM	D MM	KG	1
8466-0001	036168	45	25-100	60	0-75	0,5	1

8470 INTERNAL EXTRACTOR

- Surface: Chrome plated. Burnished spindle.
- Material: Chrome-vanadium steel.



ITEM NO.	5704196+	A MM	B MM	L MM	KG	1
8470-0507	036182	5-7	27	82	0,1	1
8470-0811	036199	8-11	40	90	0,1	1
8470-1214	036205	12-14	64	108	0,3	1
8470-1519	036212	15-19	64	125	0,3	1
8470-2024	036229	20-24	65	125	0,3	1
8470-2529	036236	25-29	65	125	0,4	1
8470-3037	036243	30-37	65	125	0,4	1
8470-3846	036250	38-46	65	125	0,5	1
8470-4754	036267	47-54	88	175	1,3	1
8470-5564	036274	55-64	89	175	1,6	1
8470-6576	036281	65-76	89	175	2,0	1

8467 COMBI PULLER WITH SLIDEHAMMER

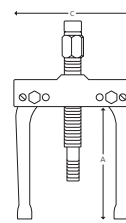
- Internal and external puller.
- Surface: Chrome plated. Burnished spindle.
- Material: Chrome-vanadium steel.



ITEM NO.	5704196+	KG	2	1
8467-0001	036175	2	1	

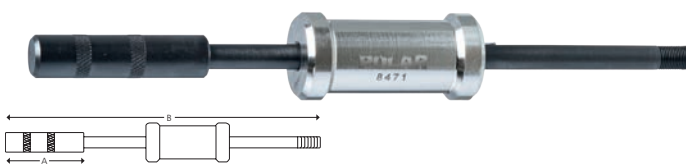
8472 COUNTERSTAY

- Fits all internal extractors model 8470.
- Surface: Chrome plated. Burnished spindle.
- Material: Chrome-vanadium steel.



8471 SLIDEHAMMER

- Surface: Chrome plated. Burnished spindle.
- Material: Chrome-vanadium steel.



ITEM NO.	5704196+	A MM	B MM	THREAD SIZE	KG	1
8471-0001	036298	90	360	1/2"	1,4	1

ITEM NO.	5704196+	A MM	B MM	C MM	KG	1
8472-0001	036304	124	135	130	1,5	1