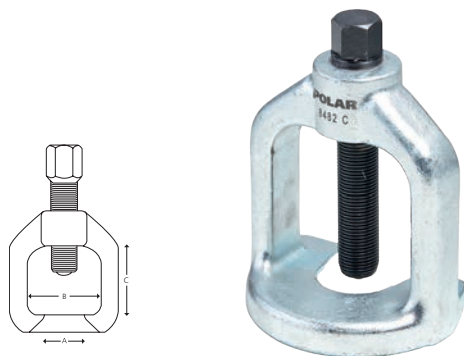




POLAR PULLERS

8482 BALL JOINT SEPARATORS

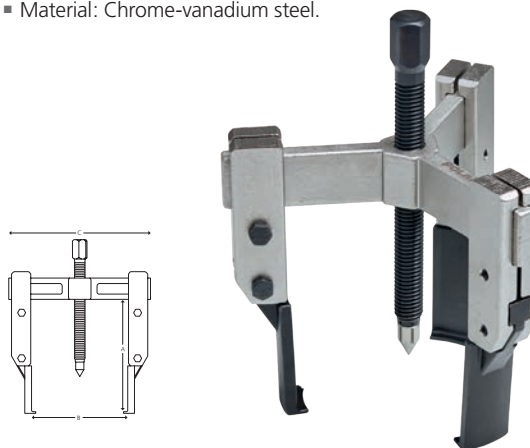
- Universal separator for ball joints.
- Surface: Chrome plated. Burnished spindle.
- Material: Chrome-vanadium steel.



ITEM NO.	5704196+	A MM	B MM	C MM	MAX. NM	KG	
8482-0018	036489	18	40	35	50	0,4	1
8482-0025	036496	25	50	45	120	0,6	1
8482-0040	036502	40	80	80	280	2,2	1

8486 3-JAW PULLER WITH NARROW JAWS

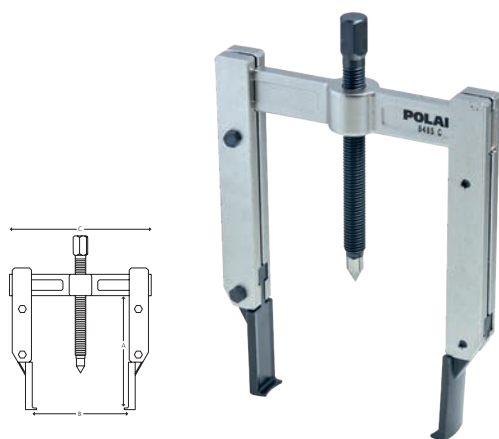
- The thin pulling hooks are suitable for narrow, difficult-to-access locations.
- The puller can be used both internally and externally.
- Surface: Nickel-plated. Burnished spindle.
- Material: Chrome-vanadium steel.



ITEM NO.	5704196+	A MM	B MM	C MM	KG	
8486-0105	036540	110	125	170	1,9	1
8486-0145	036557	145	125	170	2,5	1
8486-0195	036533	195	125	170	3,1	1

8485 UNIVERSAL 2-JAW PULLER WITH EXTREMELY NARROW JAWS

- For removing gears, bearings etc. in tight or difficult to access spaces.
- Surface: Chrome plated. Burnished spindle.
- Material: Chrome-vanadium steel.

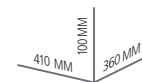


ITEM NO.	5704196+	A MM	B MM	C MM	KG	
8485-0105	036519	110	140	186	1,4	1
8485-0145	036526	145	140	186	1,7	1
8485-0195	036533	195	140	186	2,1	1

8487 S/9 2-ARM PULLER SET

ITEM NO. 8487-0004

- Farm and workshop puller set.
- With 4 pairs of jaws of varying lengths.
- Supplied in plastic case.
- 9 tools.



ITEM NO.	5704196	036571
	6,5 KG	



4-IN-1

CONTENT:

QTY.	DESCRIPTION	SIZE
1	Pulling device	
4	Jaws set	111 x 30 / 145 x 30 / 186 x 30 / 182 x 12,5 mm